



SmartFind M10 & M15 AIS

Offering high performance, at a low cost, the SmartFind AIS electronics range brings important safety advantages of the Automatic Identification System (AIS) to a wider range of vessels than ever before.

Ideally suited for vessels, where the complexity of an AIS Class A Transponder is not necessary, the McMURDO SmartFind M10 AIS Class B Transponder and SmartFind M15 AIS receiver range will receive and process all AIS targets within 20 miles of the vessel, typical.



McMurdo SmartFind AIS Electronics Range

The SmartFind M10 AIS Class B Transponder transmits vessel position information and has a built-in GPS receiver to determine the vessels position, speed and course; and once this is combined with other navigational information, it is automatically transmitted without any user interaction.

Engineered for flawless integration with a wide range of navigation systems, dedicated chart plotters and PC or Mac based software programs, the SmartFind AIS range have advanced interface capabilities, supporting both standard NMEA0183 interfaces as well as USB connectivity, they offer integration with the vessel's other navigation equipment. The SmartFind M10 AIS Class B Transponder also has state of the art NMEA2000 duplex interface capabilities to support the latest generation of NMEA 2000 navigation display devices.

The SmartFind M10, also has an SD card slot, which can be used as a data logger, enabling the capture of all messages - to assist in system and safety monitoring, including incident investigation. A 4Gb card will store approximately 30 day's worth of data. The 'Silent mode' option, allows the user to temporarily stop the broadcast of identifying information on occasions where either privacy or security is required.

Description	SmartFind M10	SmartFind M10W	SmartFind M15	SmartFind M15S
AIS Type	Class B	Class B	Receiver	Receiver
AIS transmitter	Yes	Yes	No	No
Number of AIS Channels	2	2	2	2
USB	Yes Mini socket	Yes Mini socket	Yes	Yes
NMEA 0183	Independent 2 input, 2 output	Independent 2 input, 2 output	Independent 1 input, 1 output	Independent 1 input, 1 output
Built-in VHF/AIS antenna splitter	No	No	No	Yes
NMEA 2000	Yes	Yes	No	No
SD data logger	Yes	Yes	No	No
Built-in GPS	Yes	Yes	No	No
Built-in WiFi	No	Yes	No	No

SmartFind M10

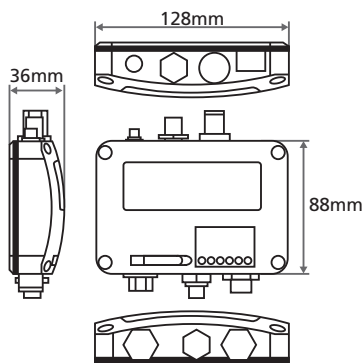
AIS Class B Transponder

- GPS
- In built data logger
- NMEA 2000
- NMEA 0183
- USB
- 12/24v DC
- WiFi (M10W version)

SmartFind M15

AIS Receiver

- Dual channel
- NMEA 0183
- USB 2.0
- 12/24V DC or USB power
- Compact and economical
- Splitter (M15S version)



Specifications for all units

ENVIRONMENTAL

Operating Temperature: -15°C-55°C
Storage Temperature -25°C-70°C
Humidity Operation: 0-95% RH at 40°C
Vibration: IEC 60945
Waterproof: IPX2

PHYSICAL

Size in mm (w): 128 mm
Size in mm (h): 36 mm
Size in mm (d): 88 mm

TYPE APPROVAL CERTIFICATION

CE, FCC - M10 models only
Check the McMurdo website for additional type approval information.

OPERATION

AIS CH-1 : 161.975MHz
AIS CH-2 : 162.025MHz
Number of AIS Receivers: 2 channel
Message Format: AIS Class A & B

POWER SUPPLY

Supply Voltage: 12 / 24V DC
Power Consumption: < 4 Watt @ 12V

INTERFACE

VHF Antenna Connector Female
Type M (PL 259)
NMEA 0183 38400 (default), 9600,
4800 bps USB 2.0 Supported

Model Specific Specifications

M10

Led Indication: Power, Error, AIS Rx, Tx/Silent, SD
Tx Power Output: 2 Watt (33 dBm ± 1.5 dB) Rx Sensitivity: <-107 dBm @20% PER

NMEA 2000: Connector
NMEA 0183: (RS-422), Support two NMEA0183 interfaces. Baud rate configurable (default 38,400 bps) Separate Tx/Rx baud rate.

Weight: 250g

GPS: 50 channel, GPS antenna included

Wireless connection: IEEE 802.11 b/g/n (Smartfind M10W only)

M15

Led Indication: Power, Error, AIS Rx, Radio Tx (M15S model only).

VHF Radio (M15S) Female Type M (PL 259)

VHF Port Insertion Loss (M15S) Receiver Path 3.5dB, Transmit Path 1.2dB

Weight 210g (incl. cable)

USB power option included



info@mcmurdogroup.com

www.mcmurdogroup.com

Service & Support

For service and support, please contact your local distributor or service agent by visiting <http://www.mcmurdomarine.com/find-a-service-centre>



McMurdo Group – The industry's first end-to-end life-saving and tracking solutions provider

Distress Beacons • Satellite Connectivity Infrastructure • Monitoring/Positioning Software • Emergency Response Management